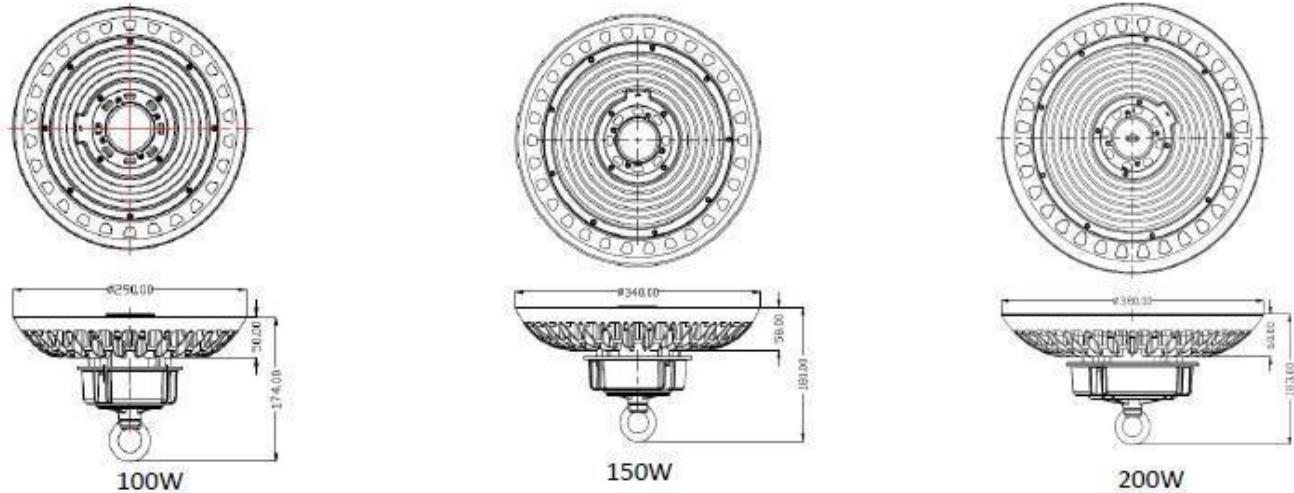


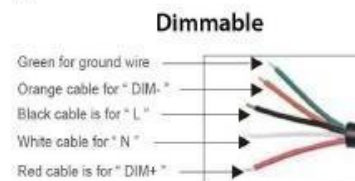
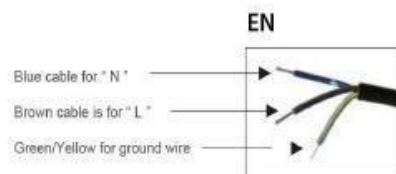
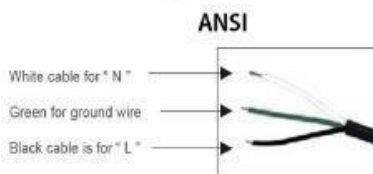
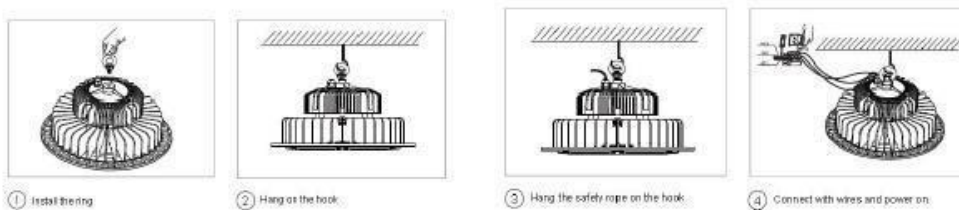


<i>Wattage</i>	200W
<i>Kelvin Range</i>	5000K
<i>Operating Voltage</i>	90V AC – 305V AC
<i>Total Lumen</i>	30000Lm ±5%
<i>Efficiency</i>	>150Lm/W
<i>IP Class</i>	IP 65
<i>Life Span (Hours)</i>	50000 Hours
<i>Warranty (Years)</i>	5 Years
<i>Working Temperature</i>	-20 - +45 °C
<i>Power Factor</i>	>0,9
<i>CRI</i>	>70
<i>Material</i>	Die-Casting Aluminum
<i>LED Chip Brand</i>	Lumileds
<i>Driver Brand</i>	Meanwell XBG
<i>IK</i>	09
<i>Material Color</i>	Black
<i>Beam Angle</i>	90 Degree
<i>Dimensions</i>	Φ380mmX183mm
<i>Dimmable</i>	Optional
<i>Certificate</i>	CE (EMC-LVD) ROHS
<i>Lifetime (h)</i>	50000

Structure:



Installation



※ Note: If the lamp be used outside, please keep the connector water-proof.