

Track light 30W



Technical Specifications

Code	BSL 0636/02331
Wattage	30 W
CCT	3000 K
Kelvin Range	0-350 K
Operating Voltage	220-240V
Voltage Range	0-15V
Luminous Flux	2200 lm
CRI	>80
IP Rating	IP20
Working Temperature	-20 to +50°C
Angle	20/40/60°
Power Factor	>0.9
Warranty	5 Years
Lifespan	50.000h
Driver Brand	BOKE flicker free
Chip Brand	CREE COB
Width	136mm
Height	203mm
Φ Outer	580x440x260mm(8 pcs/CTN)
Φ Inner	210x140x240mm



BIGSOLAR

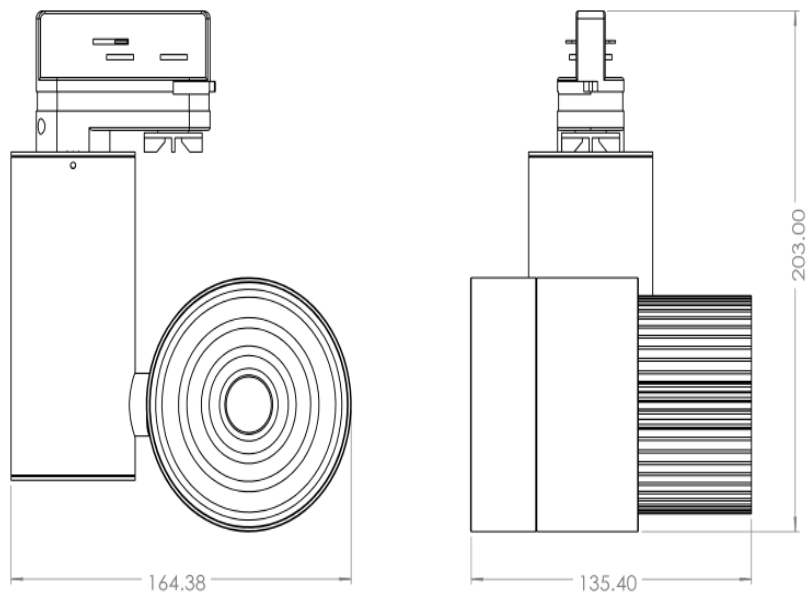
Λ. Νάτο 100, 19300 Ασπρόπυργος

Τηλ: 210 5509090

Fax: 210 5594559

E-mail: info@bigsolar.gr

Web: www.bigsolar.gr



Μεγάλη **και** στην εξοικονόμηση ενέργειας