

Track light 30W



Technical Specifications

<b>Code</b>	<b>BSL 0636/02335</b>
<b>Wattage</b>	30 W
<b>CCT</b>	3000 K
<b>Kelvin Range</b>	0-350 K
<b>Operating Voltage</b>	220-240V
<b>Voltage Range</b>	0-15V
<b>Luminous Flux</b>	2200 lm
<b>CRI</b>	>80
<b>IP Rating</b>	IP20
<b>Working Temperature</b>	-20 to +50°C
<b>Angle</b>	20/40/60°
<b>Power Factor</b>	>0.9
<b>Warranty</b>	5 Years
<b>Lifespan</b>	50.000h
<b>Driver Brand</b>	BOKE flicker free
<b>Chip Brand</b>	CREE COB
<b>Width</b>	136mm
<b>Height</b>	203mm
<b>Φ Outer</b>	580x440x260mm(8 pcs/CTN)
<b>Φ Inner</b>	210x140x240mm



**BIGSOLAR**

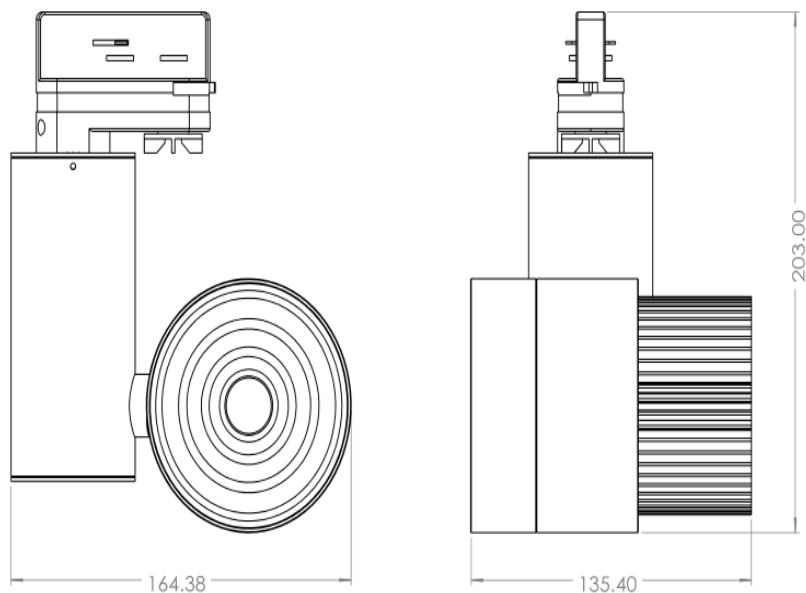
Λ. Νάτο 100, 19300 Ασπρόπυργος

**Τηλ:** 210 5509090

**Fax:** 210 5594559

**E-mail:** [info@bigsolar.gr](mailto:info@bigsolar.gr)

**Web:** [www.bigsolar.gr](http://www.bigsolar.gr)



Μεγάλη **και** στην εξοικονόμηση ενέργειας