

LED Floodlight 300W



Technical Characteristics

<i>Product Code</i>	BSL 0636/04045
<i>Wattage</i>	300W
<i>Kelvin Range</i>	5000K
<i>Operating Voltage</i>	100V AC – 240V AC
<i>Total Lumen</i>	>45000Lm
<i>Efficiency</i>	>150Lm/W
<i>IP Class</i>	IP 66
<i>Life Span (Hours)</i>	50000 Hours
<i>Warranty (Years)</i>	5 Years
<i>Working Temperature</i>	-20 - +50 °C
<i>Power Factor</i>	>0,95
<i>CRI</i>	>70
<i>Material</i>	Aluminum
<i>Material Color</i>	Black
<i>Beam Angle</i>	110 Degree
<i>Driver Brand</i>	Meanwell
<i>Certificate</i>	CE (EMC-LVD) ROHS





BIGSOLAR

Λ. Νάτο 100, 19300 Ασπρόπυργος

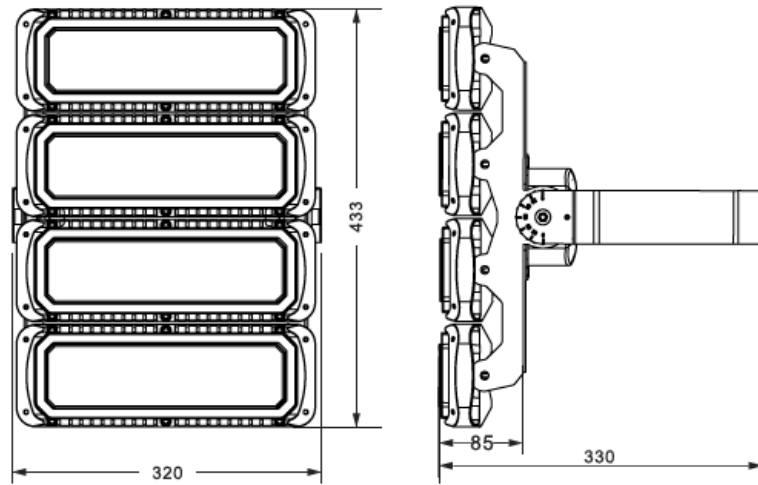
Τηλ: 210 5509090

Fax: 210 5594559

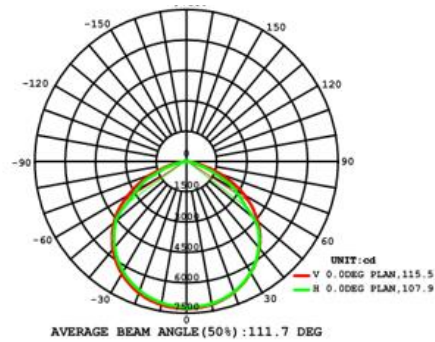
E-mail: info@big solar.gr

Web: www.big solar.gr

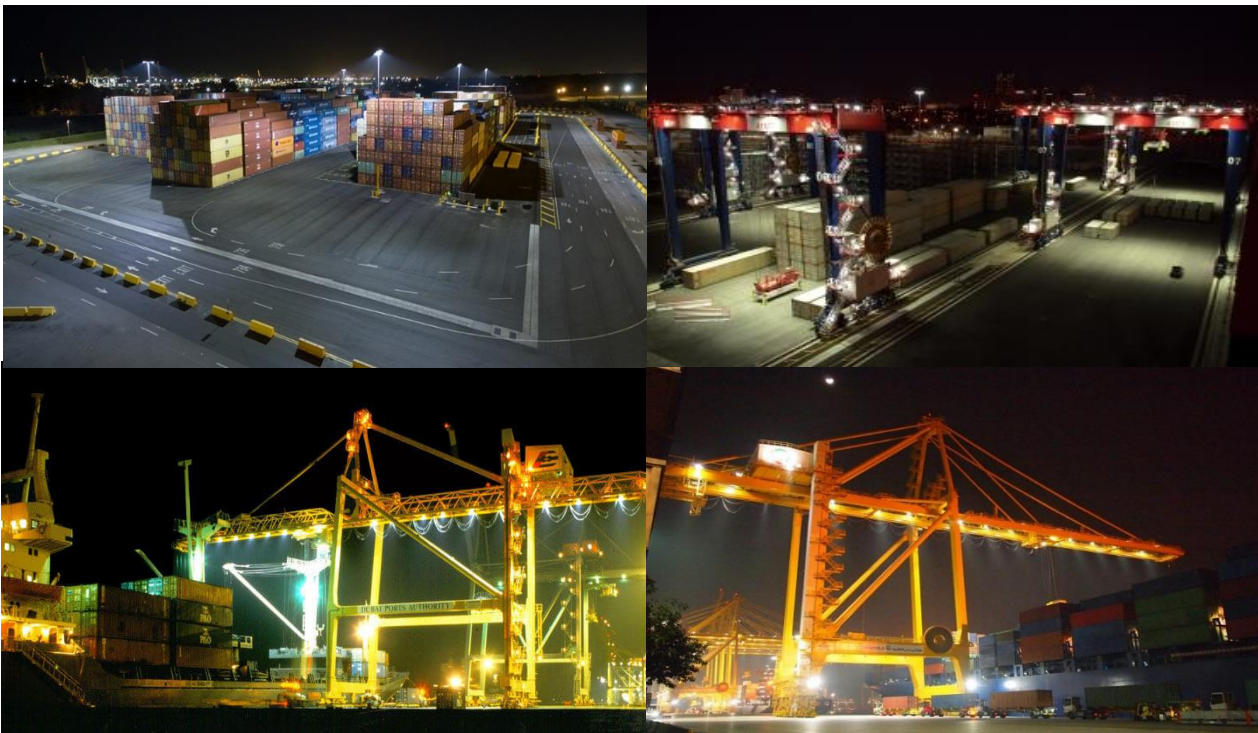
Dimension:



Distribution Diagram



110°



Μεγάλη **και** στην εξοικονόμηση ενέργειας